

About Sastra Robotics

Since 2013, we have been serving some of the largest enterprises in the world with Robotic Solutions for Automated Testing. Our relentless pursuit for quality and integrity has provided us with an ever-growing customer base.

**Recognised as one of the
Top 50 Technology Startups
in the world
by TiE Silicon Valley in 2017**

At Sastra Robotics, we envision a future where
Man and Machine coexists.

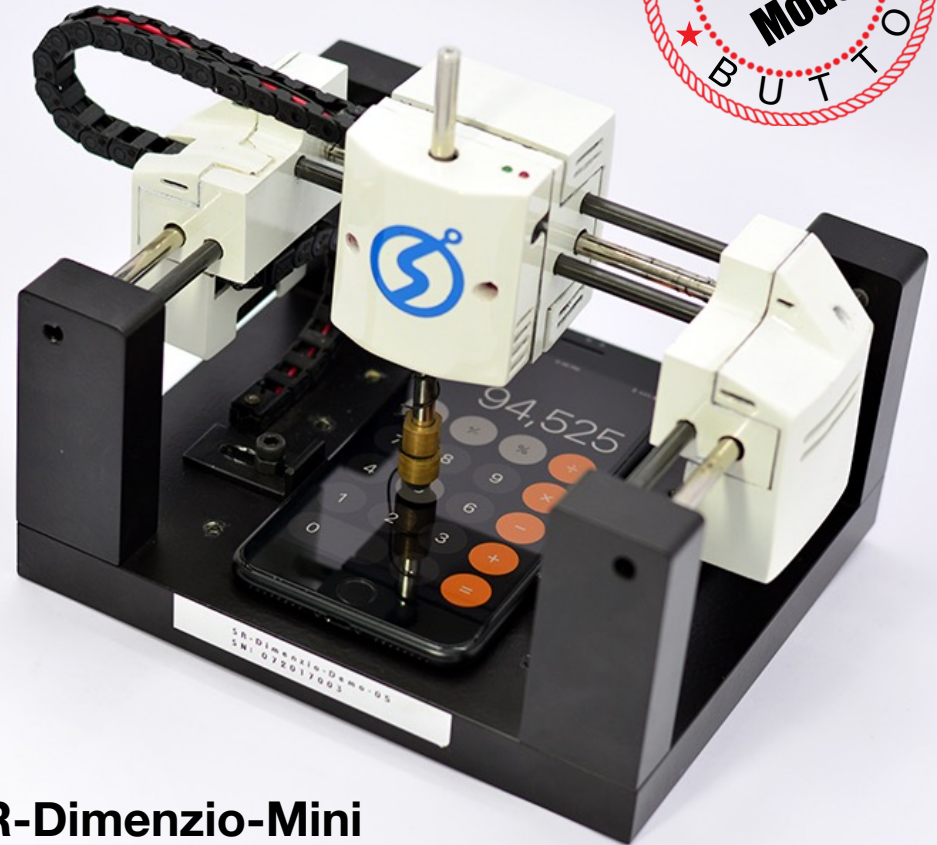
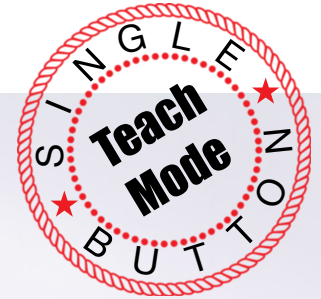


Contact our Sales Team

contact@sastrarobotics.com

+91 4846 422 422

www.sastrarobotics.com



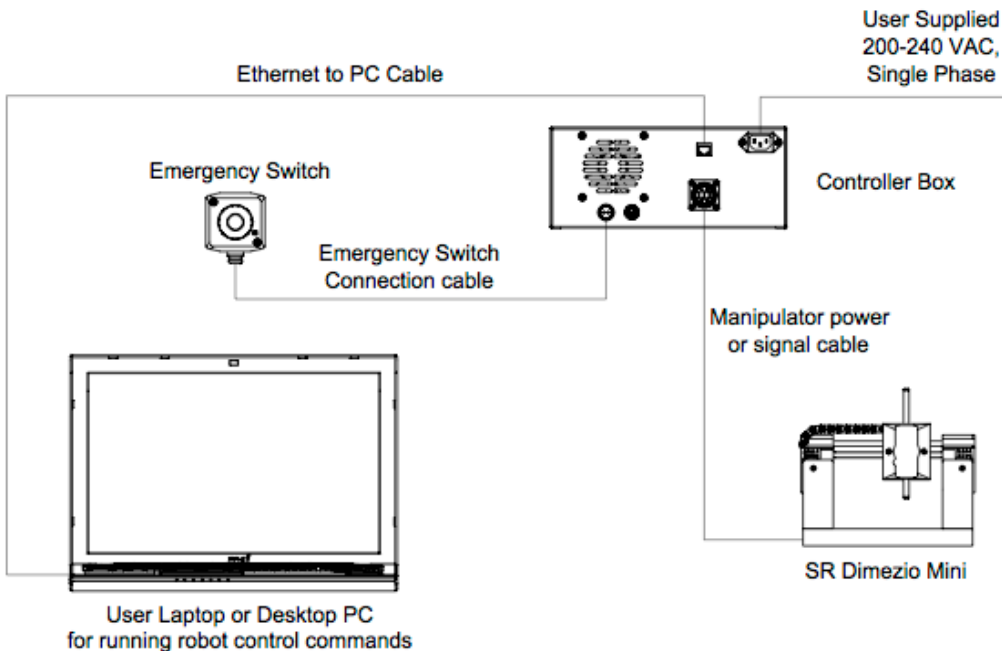
SR-Dimenzio-Mini

Accelerated Environmental Testing
even at 70 °C and 90 RH

Features and Benefits :

- **Teach Mode enables easily teaching the system** by those who do not know how to make computer programs
- **Operates in harsh environments** even upto 70 °C temperature and 90RH humidity making it suitable for Environmental Test Chambers
- **High speed operation** of upto 500 mm/s
- **All single finger gestures** are available
- **Innovative Force controlled stylus for ensuring safety** of buttons, capacitive touchscreen and resistive touch panels
- **Replaceable Stylus Tips** for mimicking the different age groups
- **Also supports Tablets and IoT devices**

Automated Testing System Setup:



Technical Specifications:

Force Control	3 levels
Clicks per second (Force controlled)	2
Duration of touch actions	200 to 5000 ms
Workspace area (for largest model)	Upto 200 mm (W) x 200 mm (H)
Range of motion of stylus	25 mm
Flexibility (DOF)	3
Footprint (for largest model)	300 mm (W) x 250 mm (H) x 400 mm (D)
Accuracy	± 0.2 mm
Repeatability	± 0.05 mm
Weight (for largest model)	7.5 Kg
Power consumption (for largest model)	300 Watts
Power Supply requirements	100-240V AC, Single Phase, 50 Hz
Temperature Range	10 °C to 70 °C
Humidity	Upto 90RH

Dimensions : (figure shows smallest model for 65x65 sq.mm. touchscreens)

